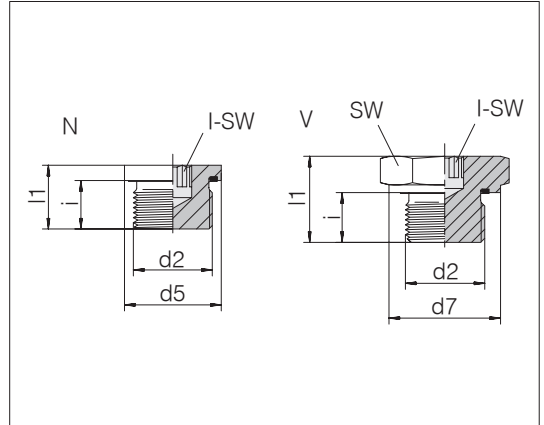


Blanking plugs for ports

Male thread: Metric fine thread, cylindrical
 Threaded stud: ISO 9974-2 Form E
 Sealing type: Profile sealing ring PEFLEX
 Sealing material: Standard NBR



| d2 | Pressure | d5 | d7 | l1 | SW | I-SW | i | Style | Nm -10 % | kg/100 ca. | Order-No. | Designation |
|------------|----------|------|------|------|----|------|----|-------|-------------|---------------|------------|------------------|
| M 8 x 1 | PN 400 | 12 | | 12.3 | | 4 | 8 | N | 10 | 0.5 | 0189142100 | GP-PLIH-M8E-C21 |
| M 10 x 1 | PN 400 | 14 | | 12.3 | | 5 | 8 | N | 12 | 0.7 | 0189202100 | GP-PLIH-M10E-C21 |
| M 10 x 1 | PN 400 | | 13.9 | 18 | 14 | | 8 | V | 12 | 1.6 | 1189202100 | GP-PLEH-M10E-C21 |
| M 12 x 1.5 | PN 400 | 17 | | 17.3 | | 6 | 12 | N | 23 | 1.4 | 0189212100 | GP-PLIH-M12E-C21 |
| M 14 x 1.5 | PN 400 | 19 | | 17.3 | | 6 | 12 | N | 30 | 1.9 | 0189222100 | GP-PLIH-M14E-C21 |
| M 14 x 1.5 | PN 400 | | 18.9 | 22 | 19 | | 12 | V | 30 | 3.4 | 1189222100 | GP-PLEH-M14E-C21 |
| M 16 x 1.5 | PN 400 | 21.9 | | 17.3 | | 8 | 12 | N | 50 | 2.4 | 0189232100 | GP-PLIH-M16E-C21 |
| M 18 x 1.5 | PN 400 | 23.9 | | 17.3 | | 8 | 12 | N | 65 | 3.2 | 0189242100 | GP-PLIH-M18E-C21 |
| M 18 x 1.5 | PN 400 | | 23.9 | 22 | 24 | | 12 | V | 65 | 5.6 | 1189242100 | GP-PLEH-M18E-C21 |
| M 20 x 1.5 | PN 400 | 25.9 | | 19.3 | | 10 | 14 | N | 75 | 4.0 | 0189252100 | GP-PLIH-M20E-C21 |
| M 22 x 1.5 | PN 400 | 27 | | 19.3 | | 10 | 14 | N | 90 | 5.0 | 0189262100 | GP-PLIH-M22E-C21 |
| M 24 x 1.5 | PN 400 | 29.9 | | 19.3 | | 12 | 14 | N | 90 | 5.8 | 0189272100 | GP-PLIH-M24E-C21 |
| M 26 x 1.5 | PN 400 | 31.9 | | 21.3 | | 12 | 16 | N | 110 | 7.4 | 0189282100 | GP-PLIH-M26E-C21 |
| M 27 x 2 | PN 400 | 32 | | 21.3 | | 12 | 16 | N | 130 | 7.7 | 0189292100 | GP-PLIH-M27E-C21 |
| M 33 x 2 | PN 400 | 39.9 | | 22.8 | | 17 | 16 | N | 225 | 12.4 | 0189302100 | GP-PLIH-M33E-C21 |
| M 33 x 2 | PN 400 | | 46 | 33 | 46 | 17 | 18 | V | 250 | 27.4 | 1189302100 | GP-PLEH-M33E-C21 |
| M 42 x 2 | PN 315 | 49.9 | | 22.8 | | 22 | 16 | N | 310 | 18.6 | 0189312100 | GP-PLIH-M42E-C21 |
| M 42 x 2 | PN 400 | | 57 | 38 | 60 | 22 | 20 | V | 400 | 53.4 | 1189312100 | GP-PLEH-M42E-C21 |
| M 48 x 2 | PN 315 | 55 | | 22.8 | | 24 | 16 | N | 380 | 24.4 | 0189322100 | GP-PLIH-M48E-C21 |
| M 48 x 2 | PN 400 | | 64 | 40 | 65 | 24 | 22 | V | 500 | 69.2 | 1189322100 | GP-PLEH-M48E-C21 |

Other sizes on request.

Example for comp. : VST18X1ED

Threaded ports as per ISO 9974-1/
 DIN 3852, form X.
 d5 = d4 narrow

